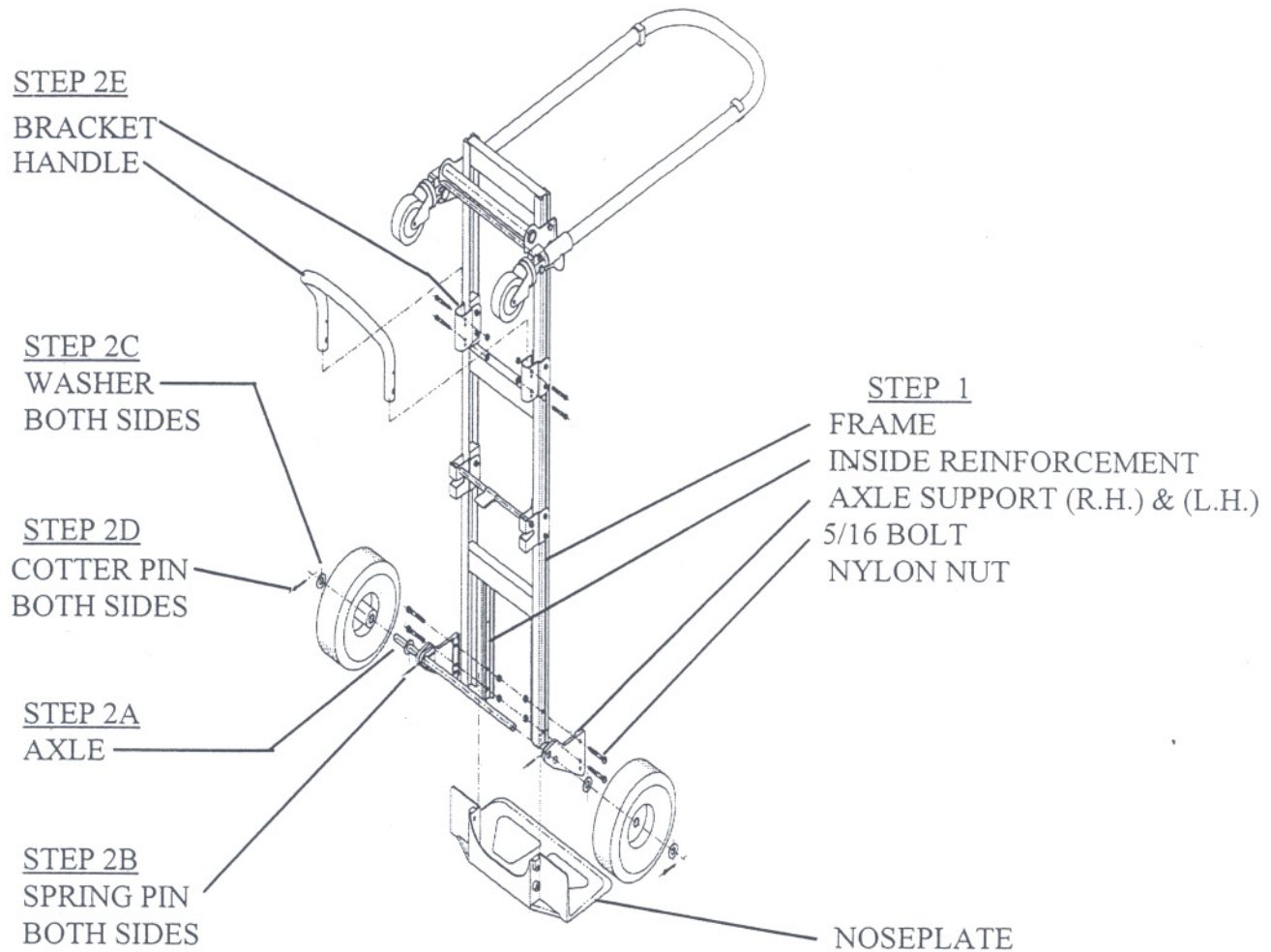


SPARTAN SR.

ALUMINUM CONVERTIBLE TRUCK ASSEMBLY INSTRUCTIONS

WESCO PART NO. 220001



Step 1 - Assemble the noseplate, right axle support, left axle support, and inside reinforcements to frame with 5/16" bolts as shown. Be sure to insert reinforcements between noseplate and frame before inserting bolts. Thread nylock nuts onto 5/16" bolts and tighten.

Step 2 - A - Insert axle through axle supports, using the higher of two hole positions.

B - On inside axle holes insert spring pins through axle so the pins rest in the slots of axle supports to prevent rotation.

C - Slide (1) washer on each end of axle, then wheels, then another washer.

D - Insert cotter pin through hole at each end of axle and bend one leg.

E - Remove bolts from loop handle brackets, slide handle in brackets replace bolts and tighten.

Step 3 - Check air pressure in tires, maintain (30) PSI.

WESCO
Industrial Products, Inc.

Landsdale, Pa.

TEL: 215-699-7031

FAX: 215-699-3836