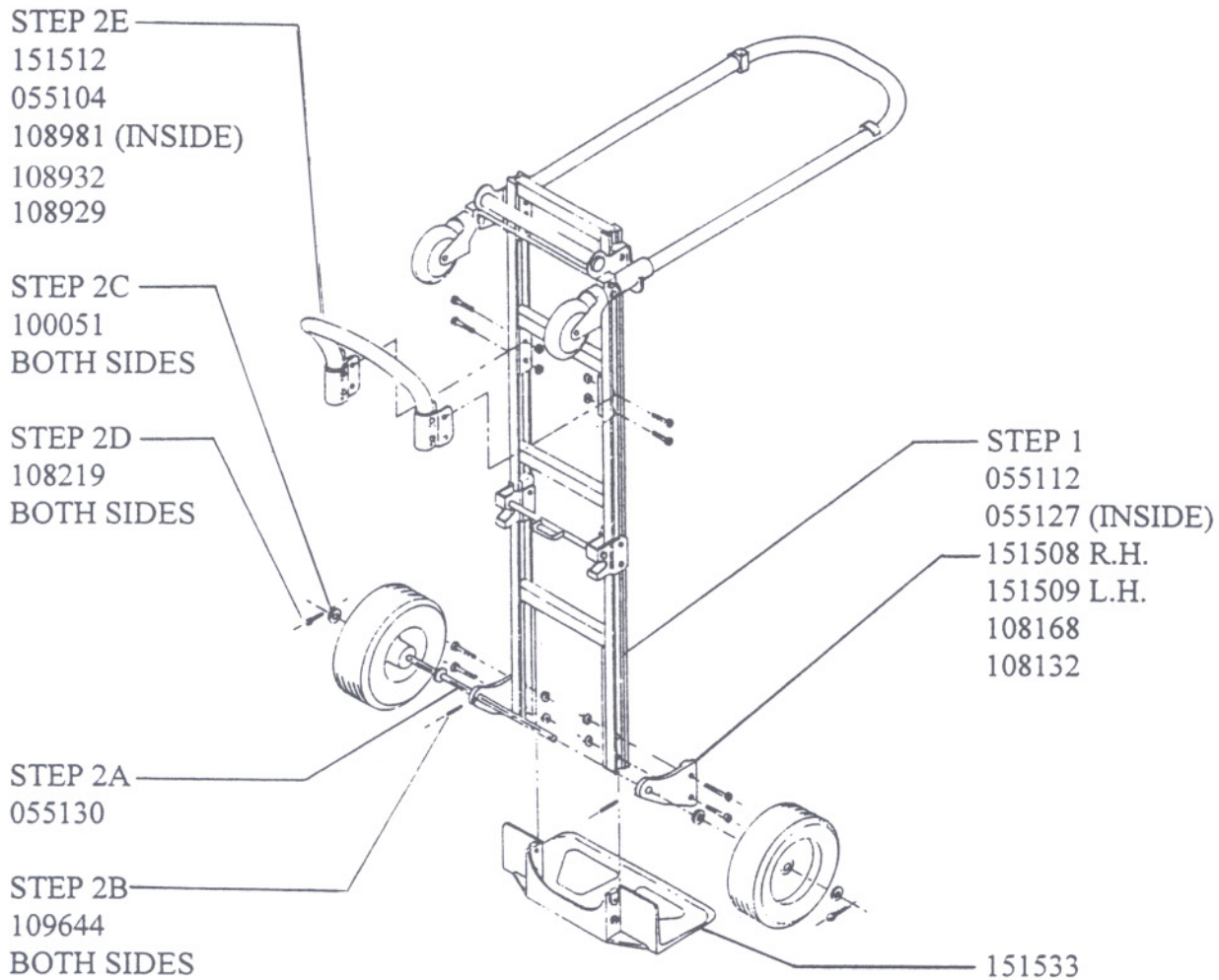


WESCO

Industrial Products, Inc.

COBRA SR. - ALUMINUM 2 IN 1 TRUCK ASSEMBLY INSTRUCTIONS



Assemble the truck with the top handle facing you.

Step 1 - Assemble with 5/16 bolts (108168) noseplate (151533) right axle support (151508), left axle support (151509), and inside reinforcements (055127) to frame (055112) as shown. Be sure to insert reinforcements between noseplate and frame before inserting bolts. Assemble (108132) nylock nuts and tighten.

Step 2 - A - Insert axle (055130) through axle supports, using holes furthest from the truck.

B - Insert spring pins (109644) through axle in slot of axle support to prevent rotation.

C - Slide washers (100051) on each of axle (055130), then wheels, and washers (100051) again.

D - Insert cotter pin (108219) through holes at each end of axle and bend one leg.

E - With the two handle brackets (055104) facing you assemble the handle (151512), bracket (055104) and molded block (108981) to the frame with screws (108932) and nuts (108929).